

# CCS Technical Documentation

## RH-10 Series Transceivers

# Parts Lists

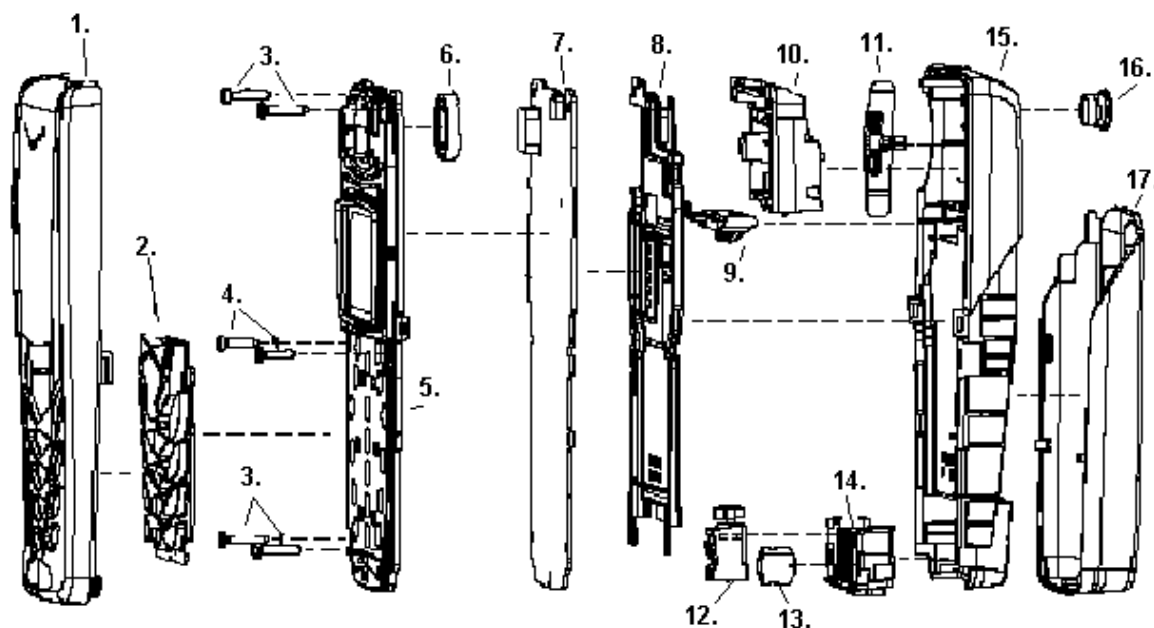


**Contents**

	<b>Page No</b>
Exploded View of RH-10 .....	5
Assembly Parts.....	5
EDMS Issue 1.16 Code: 0262817 .....	5
Parts List .....	6
RH-10 (8280) — EDMS Issue 6.3 Code: 0202053 .....	6



## Exploded View of RH-10



## Assembly Parts

EDMS Issue 1.16 Code: 0262817

Item	Qty	Code	Description
1	1	9491039	A-cover assembly (navy blue)
2	1	9794110	Keymat assembly
3	4	6150065	Screws M1.6x9.0mm DMD 08507 GIO
4	2	6150067	Screws M1.6x7.0mm DMD 08506 GIO
5	1	9480990	Display assembly DMC 05505 HDB86
6	1	5140067	Speaker + spring 105+-3dB 32R D13.2
7	1	0202053	1AE RF/BB Module
8	1	9517227	RF shield assembly DMC 05503 HDB86
9	1	5409199	Battery connector 4POL 10V 2A SPR
10	1	0660269	Diva Antenna module
11	1	9452133	Volume key DMD 07908 HDB76
12	1	6800055	Vibra motor
13	1	5140205	Microphone
14	1	5400181	System connector Spr HS/SW+DC+MIC+V.MOTOR
	1	5460049	System connector DC+HS/Jack

Item	Qty	Code	Description
15	1	9494064	B-cover assembly DMC 04197 HDB76
16	1	9510858	RF Plug DMD 08302 HDB76
17	1	9494029	Battery cover (navy blue)

## Parts List

### RH-10 (8280) – EDMS Issue 6.3 Code: 0202053

Item	Code	Side	X	Y	Description	Value	Type
R102	1430804	Bottom	Q	8	Chip res	0W06 100K J	0402
R150	1620103	Top	R	7	Res network	0W06 2X22R J	0404
R152	1430796	Top	R	6	Chip res	0W06 47K J	0402
R154	1620031	Top	R	6	Res network	0W06 2X1K0 J	0404
R158	1430804	Top	R	8	Chip res	0W06 100K J	0402
R160	1620103	Top	R	7	Res network	0W06 2X22R J	0404
R164	1620031	Top	R	7	Res network	0W06 2X1K0 J	0404
R167	1620031	Top	T	7	Res network	0W06 2X1K0 J	0404
R169	1620031	Top	T	7	Res network	0W06 2X1K0 J	0404
R172	1430796	Top	R	7	Chip res	0W06 47K J	0402
R173	1620031	Top	R	7	Res network	0W06 2X1K0 J	0404
R174	1430778	Top	S	7	Chip res	0W06 10K J	0402
R176	1620031	Top	T	8	Res network	0W06 2X1K0 J	0404
R177	1825033	Bottom	S	7	Chip varistor	VWM14VC46V	0402
R190	4120011	Top	T	7	Bidirectional zener5	ZDIX4 IP4043CX5	CSP5
R200	1419003	Top	P	8	Chip res	0W5 0R22 J 200 PPM	1210
R202	1620043	Bottom	Q	6	Res network	0W03 4X100K J	0804
R206	1430770	Bottom	Q	6	Chip res	0W06 4K7 J	0402
R207	1430770	Bottom	Q	6	Chip res	0W06 4K7 J	0402
R303	1430700	Top	N	7	Chip res	0W06 10R J	0402
R304	1430770	Top	C	9	Chip res	0W06 4K7 J	0402
R305	1430744	Top	N	7	Chip res	0W06 470R J	0402
R306	1825033	Top	M	8	Chip varistor	VWM14V VC46V	0402

Item	Code	Side	X	Y	Description	Value	Type
R307	1430706	Top	N	7	Chip res	0W06 15R J	0402
R427	1430754	Top	R	3	Chip res	0W06 1K0 J	0402
R428	1430770	Top	R	3	Chip res	0W06 4K7 J	0402
R430	1430754	Top	R	3	Chip res	0W06 1K0 J	0402
R431	1430770	Top	R	3	Chip res	0W06 4K7 J	0402
R433	1430754	Top	R	4	Chip res	0W06 1K0 J	0402
R434	1430770	Top	R	4	Chip res	0W06 4K7 J	0402
R435	1430770	Top	R	2	Chip res	0W06 4K7 J	0402
R450	1430770	Bottom	Q	3	Chip res	0W06 4K7 J	0402
R501	1430700	Bottom	M	7	Chip res	0W06 10R J	0402
R503	1430778	Bottom	L	8	Chip res	0W06 10K J	0402
R505	1430708	Bottom	I	6	Chip res	0W06 18R J	0402
R506	1430700	Bottom	I	7	Chip res	0W06 10R J	0402
R508	1430766	Bottom	K	7	Chip res	0W06 3K9 J	0402
R509	1430730	Bottom	I	7	Chip res	0W06 150R J	0402
R510	1430804	Bottom	L	6	Chip res	0W06 100K J	0402
R511	1430794	Bottom	L	6	Chip res	0W06 39K J	0402
R512	1430700	Bottom	L	6	Chip res	0W06 10R J	0402
R513	1430700	Bottom	L	7	Chip res	0W06 10R J	0402
R515	1430700	Bottom	L	7	Chip res	0W06 10R J	0402
R517	1430772	Bottom	I	6	Chip res	0W06 5K6 J	0402
R518	1430740	Bottom	I	6	Chip res	0W06 330R J	0402
R519	1430718	Bottom	I	7	Chip res	0W06 47R J	0402
R520	1430754	Bottom	J	6	Chip res	0W06 1K0 J	0402
R521	1430764	Bottom	J	6	Chip res	0W06 3K3 J	0402
R522	1430728	Bottom	J	6	Chip res	0W06 120R J	0402
R523	1430730	Bottom	I	6	Chip res	0W06 150R J	0402
R550	1430778	Bottom	K	8	Chip res	0W06 10K J	0402
R551	1430690	Bottom	i	8	Chip res jumper	0R0	0402
R601	1430758	Bottom	H	6	Chip res	0W06 1K5 J	0402
R602	1430790	Bottom	H	6	Chip res	0W06 27K J	0402
R604	1430772	Bottom	G	7	Chip res	0W06 5K6 J	0402

Item	Code	Side	X	Y	Description	Value	Type
R605	1430770	Bottom	G	6	Chip res	0W06 4K7 J	0402
R606	1430770	Bottom	F	6	Chip res	0W06 4K7 J	0402
R607	1430762	Bottom	F	7	Chip res	0W06 2K2 J	0402
R609	1430758	Bottom	H	5	Chip res	0W06 1K5 J	0402
R611	1430804	Bottom	H	6	Chip res	0W06 100K J	0402
R621	1430774	Bottom	H	7	Chip res	0W06 6K8 J	0402
R702	1430754	Bottom	M	4	Chip res	0W06 1K0 J	0402
R703	1430744	Bottom	M	3	Chip res	0W06 470R J	0402
R704	1430770	Bottom	M	4	Chip res	0W06 4K7 J	0402
R705	1430790	Bottom	M	3	Chip res	0W06 27K J	0402
R706	1430776	Bottom	L	3	Chip res	0W06 8K2 J	0402
R721	1430796	Bottom	H	3	Chip res	0W06 47K J	0402
R722	1430796	Bottom	J	3	Chip res	0W06 47K J	0402
R801	1430748	Bottom	D	7	Chip res	0W06 680R J	0402
R808	1820035	Bottom	E	7	NTC res	47K J B=4050+-3%	0805
C100	2320744	Bottom	R	5	Chip cap	X7R 1N0 K 50V	0402
C102	2320552	Bottom	F	3	Chip cap	NP0 47P J 50V	0402
C108	2320552	Bottom	F	4	Chip cap	NP0 47P J 50V	0402
C109	2320552	Bottom	F	3	Chip cap	NP0 47P J 50V	0402
C150	2320552	Top	R	6	Chip cap	NP0 47P J 50V	0402
C151	2320805	Top	S	7	Chip cap	X5R 100N K 10V	0402
C152	2320552	Top	R	6	Chip cap	NP0 47P J 50V	0402
C154	2320805	Top	S	6	Chip cap	X5R 100N K 10V	0402
C155	2320805	Top	S	6	Chip cap	X5R 100N K 10V	0402
C156	2320552	Top	U	6	Chip cap	NP0 47P J 50V	0402
C158	2320552	Top	R	7	Chip cap	NP0 47P J 50V	0402
C170	2320552	Top	R	6	Chip cap	NP0 47P J 50V	0402
C172	2320552	Top	R	7	Chip cap	NP0 47P J 50V	0402
C174	2320805	Top	S	6	Chip cap	X5R 100N K 10V	0402
C175	2320805	Top	S	7	Chip cap	X5R 100N K 10V	0402
C176	2320552	Top	T	7	Chip cap	NP0 47P J 50V	0402
C180	2320552	Top	R	7	Chip cap	NP0 47P J 50V	0402



Item	Code	Side	X	Y	Description	Value	Type
C181	2320552	Top	R	7	Chip cap	NPO 47P J 50V	0402
C184	2320552	Top	R	7	Chip cap	NPO 47P J 50V	0402
C193	2320560	Top	R	6	Chip cap	NPO 100P J 50V	0402
C194	2320481	Top	R	8	Chip cap	X5R 1U K 6V3	0603
C195	2320560	Top	R	6	Chip cap	NPO 100P J 50V	0402
C202	2320778	Top	O	8	Chip cap	X7R 10N K 16V	0402
C203	2320805	Bottom	Q	8	Chip cap	X5R 100N K 10V	0402
C211	2320481	Top	Q	8	Chip cap	X5R 1U K 6V3	0603
C222	2320805	Bottom	O	5	Chip cap	X5R 100N K 10V	0402
C223	2320805	Bottom	P	8	Chip cap	X5R 100N K 10V	0402
C224	2320805	Bottom	P	7	Chip cap	X5R 100N K 10V	0402
C225	2320805	Bottom	P	6	Chip cap	X5R 100N K 10V	0402
C226	2320481	Top	R	8	Chip cap	X5R 1U K 6V3	0603
C227	2320778	Bottom	P	6	Chip cap	X7R 10N K 16V	0402
C229	2320805	Top	P	5	Chip cap	X5R 100N K 10V	0402
C230	2320778	Bottom	P	6	Chip cap	X7R 10N K 16V	0402
C232	2320778	Bottom	P	6	Chip cap	X7R 10N K 16V	0402
C233	2320481	Top	R	5	Chip cap	X5R 1U K 6V3	0603
C234	2320481	Bottom	Q	7	Chip cap	X5R 1U K 6V3	0603
C235	2320481	Bottom	Q	7	Chip cap	X5R 1U K 6V3	0603
C237	2320481	Top	O	8	Chip cap	X5R 1U K 6V3	0603
C238	2320805	Top	Q	5	Chip cap	X5R 100N K 10V	0402
C239	2320481	Top	P	8	Chip cap	X5R 1U K 6V3	0603
C240	2320481	Bottom	P	7	Chip cap	X5R 1U K 6V3	0603
C241	2320805	Bottom	O	7	Chip cap	X5R 100N K 10V	0402
C242	2320481	Top	R	5	Chip cap	X5R 1U K 6V3	0603
C243	2320481	Top	Q	5	Chip cap	X5R 1U K 6V3	0603
C245	2320481	Bottom	O	7	Chip cap	X5R 1U K 6V3	0603
C246	2320481	Top	O	6	Chip cap	X5R 1U K 6V3	0603
C247	2320481	Top	N	6	Chip cap	X5R 1U K 6V3	0603
C248	2320481	Bottom	P	6	Chip cap	X5R 1U K 6V3	0603
C249	2320481	Bottom	O	6	Chip cap	X5R 1U K 6V3	0603

Item	Code	Side	X	Y	Description	Value	Type
C250	2320481	Bottom	O	6	Chip cap	X5R 1U K 6V3	0603
C251	2320481	Bottom	P	7	Chip cap	X5R 1U K 6V3	0603
C252	2320481	Top	N	6	Chip cap	X5R 1U K 6V3	0603
C253	2320481	Top	N	7	Chip cap	X5R 1U K 6V3	0603
C254	2320481	Top	O	6	Chip cap	X5R 1U K 6V3	0603
C255	2320481	Top	N	7	Chip cap	X5R 1U K 6V3	0603
C256	2320481	Top	O	7	Chip cap	X5R 1U K 6V3	0603
C257	2320481	Top	O	7	Chip cap	X5R 1U K 6V3	0603
C258	2320481	Top	N	7	Chip cap	X5R 1U K 6V3	0603
C259	2320481	Top	O	7	Chip cap	X5R 1U K 6V3	0603
C260	2313213	Top	O	8	Chip cap	X5R 10U K 6V3	1206
C264	2320481	Top	P	8	Chip cap	X5R 1U K 6V3	0603
C270	2313213	Bottom	E	3	Chip cap	X5R 10U K 6V3	1206
C271	2313213	Bottom	D	3	Chip cap	X5R 10U K 6V3	1206
C273	2320805	Bottom	E	4	Chip cap	X5R 100N K 10V	0402
C302	2318003	Top	C	8	Chip cap	X5R 1U0 K 16V	0603
C303	2320805	Top	D	8	Chip cap	X5R 100N K 10V	0402
C304	2320805	Top	D	8	Chip cap	X5R 100N K 10V	0402
C305	2320544	Top	C	9	Chip cap	NPO 22P J 50V	0402
C400	2320805	Top	Q	5	Chip cap	X5R 100N K 10V	0402
C401	2320805	Top	O	3	Chip cap	X5R 100N K 10V	0402
C402	2320805	Top	R	4	Chip cap	X5R 100N K 10V	0402
C403	2320805	Top	R	3	Chip cap	X5R 100N K 10V	0402
C404	2320805	Top	R	4	Chip cap	X5R 100N K 10V	0402
C405	2320805	Top	O	4	Chip cap	X5R 100N K 10V	0402
C422	2320778	Top	R	3	Chip cap	X7R 10N K 16V	0402
C423	2320744	Top	R	3	Chip cap	X7R 1N0 K 50V	0402
C424	2320778	Top	R	3	Chip cap	X7R 10N K 16V	0402
C425	2320744	Top	R	3	Chip cap	X7R 1N0 K 50V	0402
C426	2320778	Top	R	5	Chip cap	X7R 10N K 16V	0402
C427	2320744	Top	R	4	Chip cap	X7R 1N0 K 50V	0402
C428	2320778	Bottom	L	3	Chip cap	X7R 10N K 16V	0402

Item	Code	Side	X	Y	Description	Value	Type
C429	2320783	Top	R	4	Chip cap	X7R 33N K 10V	0402
C430	2320783	Top	S	3	Chip cap	X7R 33N K 10V	0402
C431	2320783	Top	S	3	Chip cap	X7R 33N K 10V	0402
C435	2320778	Top	R	2	Chip cap	X7R 10N K 16V	0402
C450	2320778	Bottom	O	5	Chip cap	X7R 10N K 16V	0402
C451	2320805	Bottom	O	2	Chip cap	X5R 100N K 10V	0402
C454	2320778	Bottom	P	3	Chip cap	X7R 10N K 16V	0402
C502	2320576	Bottom	J	6	Chip cap	X7R 470P J 50V	0402
C503	2320783	Bottom	L	5	Chip cap	X7R 33N K 10V	0402
C504	2320778	Bottom	L	7	Chip cap	X7R 10N K 16V	0402
C505	2320778	Bottom	L	6	Chip cap	X7R 10N K 16V	0402
C507	2320778	Bottom	M	7	Chip cap	X7R 10N K 16V	0402
C508	2420019	Bottom	L	7	Chip cap	PPS 68N J 16V	1210
C509	2320584	Bottom	L	8	Chip cap	X7R 1N0 J 50V	0402
C511	2320481	Bottom	L	7	Chip cap	X5R 1U K 6V3	0603
C512	2320576	Bottom	J	6	Chip cap	X7R 470P J 50V	0402
C513	2320576	Bottom	J	6	Chip cap	X7R 470P J 50V	0402
C514	2320550	Bottom	I	8	Chip cap	NPO 39P J 50V	0402
C515	2320552	Bottom	L	8	Chip cap	NPO 47P J 50V	0402
C516	2320548	Bottom	L	7	Chip cap	NPO 33P J 50V	0402
C518	2320618	Bottom	L	8	Chip cap	X7R 4N7 J 25V	0402
C519	2320520	Bottom	I	8	Chip cap	NPO 2P2 C 50V	0402
C520	2320481	Bottom	L	6	Chip cap	X5R 1U K 6V3	0603
C521	2320805	Bottom	L	7	Chip cap	X5R 100N K 10V	0402
C522	2320778	Bottom	M	7	Chip cap	X7R 10N K 16V	0402
C523	2320584	Bottom	I	6	Chip cap	X7R 1N0 J 50V	0402
C524	2320576	Bottom	I	6	Chip cap	X7R 470P J 50V	0402
C525	2320584	Bottom	J	5	Chip cap	X7R 1N0 J 50V	0402
C526	2320508	Bottom	I	7	Chip cap	NPO 1P0 C 50V	0402
C532	2320536	Bottom	K	7	Chip cap	NPO 10P J 50V	0402
C550	2320584	Bottom	K	8	Chip cap	X7R 1N0 J 50V	0402
C602	2320633	Bottom	G	6	Chip cap	NPO 220P J 25V	0402

Item	Code	Side	X	Y	Description	Value	Type
C603	2320552	Bottom	H	6	Chip cap	NPO 47P J 50V	0402
C605	2320560	Bottom	G	7	Chip cap	NPO 100P J 50V	0402
C606	2320584	Bottom	H	6	Chip cap	X7R 1N0 J 50V	0402
C607	2320778	Bottom	H	6	Chip cap	X7R 10N K 16V	0402
C612	2320120	Bottom	G	6	Chip cap	X7R 22N K 25V	0603
C613	2360001	Bottom	G	7	Chip cap	X5R 330N K 10V	0603
C614	2320552	Bottom	H	8	Chip cap	NPO 47P J 50V	0402
C615	2320584	Bottom	H	8	Chip cap	X7R 1N0 J 50V	0402
C618	2320481	Bottom	H	5	Chip cap	X5R 1U K 6V3	0603
C619	2320552	Bottom	G	8	Chip cap	NPO 47P J 50V	0402
C620	2320552	Bottom	H	9	Chip cap	NPO 47P J 50V	0402
C629	2320532	Bottom	G	6	Chip cap	NPO 6P8 C 50V	0402
C630	2320540	Bottom	G	6	Chip cap	NPO 15P J 50V	0402
C631	2320524	Bottom	G	6	Chip cap	NPO 3P3 C 50V	0402
C632	2320584	Bottom	F	6	Chip cap	X7R 1N0 J 50V	0402
C633	2320552	Bottom	G	8	Chip cap	NPO 47P J 50V	0402
C637	2320560	Bottom	G	6	Chip cap	NPO 100P J 50V	0402
C638	2320778	Bottom	G	6	Chip cap	X7R 10N K 16V	0402
C639	2320744	Bottom	H	9	Chip cap	X7R 1N0 K 50V	0402
C640	2320516	Bottom	G	8	Chip cap	NPO 1P5 C 50V	0402
C642	2320516	Bottom	G	8	Chip cap	NPO 1P5 C 50V	0402
C648	2320744	Bottom	G	8	Chip cap	X7R 1N0 K 50V	0402
C649	2320552	Bottom	G	8	Chip cap	NPO 47P J 50V	0402
C652	2320481	Bottom	G	7	Chip cap	X5R 1U K 6V3	0603
C653	2320744	Bottom	G	8	Chip cap	X7R 1N0 K 50V	0402
C666	2320552	Bottom	H	7	Chip cap	NPO 47P J 50V	0402
C701	2320783	Bottom	M	4	Chip cap	X7R 33N K 10V	0402
C702	2320584	Bottom	M	4	Chip cap	X7R 1N0 J 50V	0402
C704	2320778	Bottom	K	3	Chip cap	X7R 10N K 16V	0402
C706	2320778	Bottom	M	3	Chip cap	X7R 10N K 16V	0402
C707	2320778	Bottom	L	3	Chip cap	X7R 10N K 16V	0402
C708	2320778	Bottom	M	4	Chip cap	X7R 10N K 16V	0402

Item	Code	Side	X	Y	Description	Value	Type
C710	2320778	Bottom	L	3	Chip cap	X7R 10N K 16V	0402
C712	2320778	Bottom	L	4	Chip cap	X7R 10N K 16V	0402
C714	2360001	Bottom	M	3	Chip cap	X5R 330N K 10V	0603
C715	2320620	Bottom	M	4	Chip cap	X7R 10N J 16V	0402
C716	2320548	Bottom	M	4	Chip cap	NPO 33P J 50V	0402
C718	2320778	Bottom	L	4	Chip cap	X7R 10N K 16V	0402
C722	2320778	Bottom	L	4	Chip cap	X7R 10N K 16V	0402
C723	2320778	Bottom	L	4	Chip cap	X7R 10N K 16V	0402
C750	2320560	Bottom	J	3	Chip cap	NPO 100P J 50V	0402
C753	2320560	Bottom	H	3	Chip cap	NPO 100P J 50V	0402
C755	2320516	Bottom	G	4	Chip cap	NPO 1P5 C 50V	0402
C757	2320554	Bottom	H	4	Chip cap	NPO 56P J 50V	0402
C758	2320785	Bottom	H	4	Chip cap	X7R 47N K 10V	0402
C759	2320602	Bottom	H	5	Chip cap	NPO 4P7 C 50V	0402
C760	2320538	Bottom	H	3	Chip cap	NPO 12P J 50V	0402
C761	2320596	Bottom	I	3	Chip cap	X7R 3N3 J 50V	0402
C766	2320560	Bottom	H	4	Chip cap	NPO 100P J 50V	0402
C767	2320554	Bottom	I	3	Chip cap	NPO 56P J 50V	0402
C769	2320584	Bottom	H	3	Chip cap	X7R 1N0 J 50V	0402
C770	2320518	Bottom	K	3	Chip cap	NPO 1P8 C 50V	0402
C771	2320544	Bottom	K	4	Chip cap	NPO 22P J 50V	0402
C772	2320544	Bottom	K	4	Chip cap	NPO 22P J 50V	0402
C777	2320536	Bottom	J	4	Chip cap	NPO 10P J 50V	0402
C778	2320532	Bottom	J	5	Chip cap	NPO 6P8 C 50V	0402
C779	2320532	Bottom	J	4	Chip cap	NPO 6P8 C 50V	0402
C781	2320526	Bottom	I	4	Chip cap	NPO 3P9 C 50V	0402
C782	2320526	Bottom	I	3	Chip cap	NPO 3P9 C 50V	0402
C783	2320602	Bottom	I	4	Chip cap	NPO 4P7 C 50V	0402
C784	2320584	Bottom	I	4	Chip cap	X7R 1N0 J 50V	0402
C786	2320805	Bottom	I	3	Chip cap	X5R 100N K 10V	0402
C807	2320620	Bottom	E	6	Chip cap	X7R 10N J 16V	0402
C810	2320744	Bottom	E	7	Chip cap	X7R 1N0 K 50V	0402

Item	Code	Side	X	Y	Description	Value	Type
C811	2320552	Bottom	E	8	Chip cap	NP0 47P J 50V	0402
C841	2312255	Bottom	E	7	Chip cap	X5R 10U K 10V	1206
C842	2312255	Bottom	D	9	Chip cap	X5R 10U K 10V	1206
L100	3203743	Bottom	S	5	Ferr bead	OR03 42R/ 100MHz 3A	0805
L270	3203743	Bottom	E	4	Ferr bead	OR03 42R/ 100MHz 3A	0805
L271	3640091	Bottom	C	3	Chip coil 15UH K	0.8A 6.5X5.3X2.0	
L501	3646061	Bottom	I	8	Chip coil 15N J	Q30/800MHZ	0402
L503	3646117	Bottom	I	7	Chip coil 5N6 +-0N1	Q26/1GH	0402
L504	3646059	Bottom	I	8	Chip coil 5N6 +-0N3	Q28/800M	0402
L505	3646055	Bottom	I	7	Chip coil 8N2 J	Q28/800MHz	0402
L509	3646009	Bottom	I	6	Chip coil 10N J	Q30/800M	0402
L603	3646065	Bottom	H	8	Chip coil 12N J	Q31/800MHz	0402
L604	3646065	Bottom	G	8	Chip coil 12N J	Q31/800MHz	0402
L611	3645219	Bottom	G	6	Chip coil 10N J	Q31/250MHz	0603
L701	3645223	Bottom	M	4	Chip coil 33N J	Q40/250MHz	0603
L750	3646415	Bottom	G	3	Chip coil 19N J	Q24/250MHz	0402
L752	3646061	Bottom	H	4	Chip coil 15N J	Q30/800MHz	0402
L753	3645351	Bottom	H	4	Chip coil 220N J T	Q8/50MHz	0603
L754	3645195	Bottom	I	3	Chip coil 82N J	Q12/100MHz	0603
L755	3646061	Bottom	H	3	Chip coil 15N J	Q30/800MHz	0402
L757	3646061	Bottom	H	4	Chip coil 15N J	Q30/800MHz	0402
L759	3645243	Bottom	K	2	Chip coil 47N J	Q38/200MHz	0603
L760	3645229	Bottom	K	3	Chip coil 120N J	Q32/150MHz	0603
L761	3645229	Bottom	K	4	Chip coil 120N J	Q32/150MHz	0603
L762	3645195	Bottom	I	4	Chip coil 82N J	Q12/100MHz	0603
L764	3645301	Bottom	I	4	Chip coil 180N J	Q13/100MHz	0603
L765	3645229	Bottom	J	5	Chip coil 120N J	Q32/150MHz	0603
L766	3645229	Bottom	J	4	Chip coil 120N J	Q32/150MHz	0603
L767	3645319	Bottom	K	5	Chip coil 220N J	Q25/100MHz	0603
L768	3645319	Bottom	K	4	Chip coil 220N J	Q25/100MHz	0603

Item	Code	Side	X	Y	Description	Value	Type
L770	3645195	Bottom	H	4	Chip coil 82N J	Q12/100MHz	0603
L771	3646053	Bottom	H	3	Chip coil 4N7 +- 0N3	Q28/800M	0402
L801	3645191	Bottom	E	5	Chip coil 8N2 J	Q10/100MHz	0603
T604	4550209	Bottom	H	8	Transfer balun	824-894MHz	SMD
V100	4113721	Bottom	R	5	TVS Di 1PMT16AT3	16V 175W	PWRMITE
V270	4110457	Bottom	D	4	Sch Di MBRM140T3	40V 1.0A	PWRMITE
V300	4219937	Top	M	7	TRX2 UMT1/ PUMT1	P40V100MA	SOT363
V301	4219937	Top	M	7	TRX2 UMT1/ PUMT1	P40V100MA	SOT363
V324	4864543	Top	I	2	LED CL270WB-D	White 90' VF < 4.0V	
V325	4864543	Top	G	9	LED CL270WB-D	White 90' VF < 4.0V	
V326	4864543	Top	I	9	LED CL270WB-D	White 90' VF < 4.0V	
V327	4864543	Top	G	1	LED CL270WB-D	White 90' VF < 4.0V	
V329	4110475	Top	N	8	Sch Di RB521S-30	200MA 35V	SOD523
V420	4219921	Top	S	4	TR DTC143ZE N	RBE4K7/47K 0A1	SC75
V421	4219921	Top	S	3	TR DTC143ZE N	RBE4K7/47K 0A1	SC75
V422	4219921	Top	S	3	TR DTC143ZE N	RBE4K7/47K 0A1	SC75
V500	4210100	Bottom	I	6	TR BC848W N 30V	0.1A100MHz	SOT323
V601	4110921	Bottom	F	6	Cap Di BBY57- 02W	1/4 16/4P	SOD523
V602	4112491	Bottom	G	6	Pin Di BA892 0A1	0R7@1MA	SCD-80
V701	4110921	Bottom	M	5	Cap Di BBY57- 02W	1/4 16/4P	SOD523
Z301	4120031	Top	N	8	EMI/ESD filt	EMIF10-1K010F1	BGA-24
Z604	4511275	Bottom	F	9	Saw Filt 836.5+-	12.5MHz/3.5DB	3X3
Z751	4511309	Bottom	H	5	Saw Filt 881.5+-	12.5MHz/3DB	2.5X2
Z752	4510359	Bottom	I	4	XTAL Filt	128.1MHz +- 15KHz	3.8X3.8
Z753	4511329	Bottom	I	2	Saw Filt	128.1MHz+- 0.61MHz	9X5X1.6

Item	Code	Side	X	Y	Description	Value	Type
Z802	4510329	Bottom	D	6	Isolator 824-849MHz	.65DB	5X5X2
Z803	4512175	Bottom	C	5	Dupl 824-849/	869-894MHz	5X5X1.5
D200	4370841	Top	P	6	UEM V6.0 W-DOG	ENA T009L	TFBGA168
D400	4370873	Top	P	3	UPP8M V2.2	F751986B C035	UBGA144
D450	4341207	Bottom	O	3	Flash NMP DCT4	64MBIT	40MHz
N271	4341255	Bottom	D	3	VREG PWM/LDO	(NCP1500)	MSOP8
N501	4341293	Bottom	M	7	2XSYNTH 2.5/1.2G	(LMX2370)	MLF24
N502	4341295	Bottom	I	8	RF Amp G5.5DB/	2.1GHz (ULOBA)	SC70-6
N601	4370857	Bottom	H	7	ROBIND SSB UPCONVERTER	CDMA	TFBGA
N603	4370885	Bottom	G	9	Tomcat RF2356E4	CDMA 2000	SOT23-8
N701	4370851	Bottom	L	4	BATMAND RFIC RCVR	CDMA	UFBGA84
N750	4370863	Bottom	H	3	Alfred	LNA/Mixer/	VQFN-24
N801	4350343	Bottom	D	8	PW amp	RF9209E6.7	CDMA 800
N806	4120091	Bottom	E	6	CDMA PWR detector	STPAC 01-F1	BGA8
G501	4510347	Bottom	K	6	VCTCXO 19.2MHz	+/-1.5PPM	2.7V
G502	4350329	Bottom	J	7	VCO 986-1034/	2040-2140MHz	2.7V
B200	4510219	Top	Q	8	Crystal 32.768KHz	+/-30PPM	9PF
B302	5140211	Top	C	3	Buzzer 85DB3KHz	3.0V	10.4X8.7X3.1
F100	5119019	Bottom	S	5	Sm Fuse F 1.5A	32V	0603
S330	5209001	Top	B	8	Sm SW Tact Spst	12V 50MA	Side Key
S331	5209001	Top	C	2	Sm SW Tact Spst	12V 50MA	Side Key
S332	5209001	Bottom	E	2	Sm SW Tact Spst	12V 50MA	Side Key
X303	5469081	Top	L	7	Sm Conn 2X7M	P0.5 Spr.50V	PCB/PCB
X800	5429021	Bottom	B	7	Sm Conn RF+SW	100V 1W 50R	2.2GHz